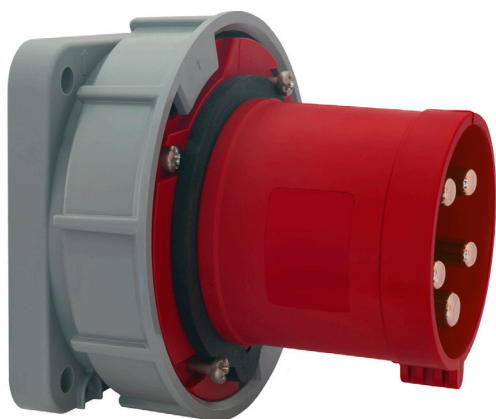
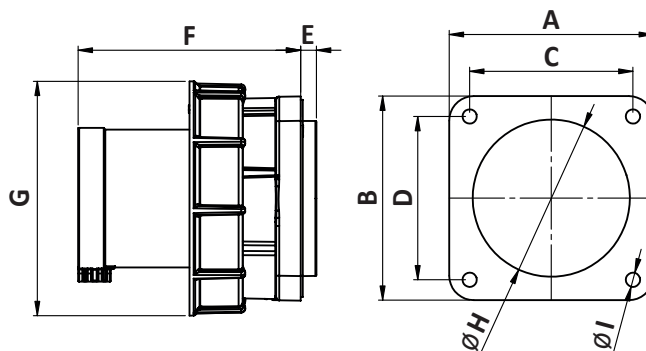


## POWtec CEE Appliance Inlets, Straight IP67



- Waterproof, IP67
- Screw terminals
- Nickel-plated contacts with pilot contact
- IP44 upon request



Dimensions (mm)						
Poles	3	4	5	3	4	5
Current	63A			125A		
AxB	100	100	100	120	120	120
CxB	80	80	80	100	100	100
E	8	8	8	13	13	13
F	109	109	109	118	118	118
G	115	115	115	131	131	131
H	77	77	77	95	95	95
I	7	7	7	7	7	7
Weight (g)	479	531	570	786	891	998

Voltage		230 V~	400 V~
Frequency		50/60 Hz	50/60 Hz
Designation		3p = 6h 4p/5p = 9h	3p = 9h 4p/5p = 6h
Current	Poles	Part No.	Part No.
63A	3	POWtecP-363B-P767	-
63A	4	POWtecP-463B-P767	POWtecP-463R-P767
63A	5	POWtecP-563B-P767	POWtecP-563R-P767
125A	3	POWtecP-3125B-P767	-
125A	4	POWtecP-4125B-P767	POWtecP-4125R-P767
125A	5	POWtecP-5125B-P767	POWtecP-5125R-P767